



KMP

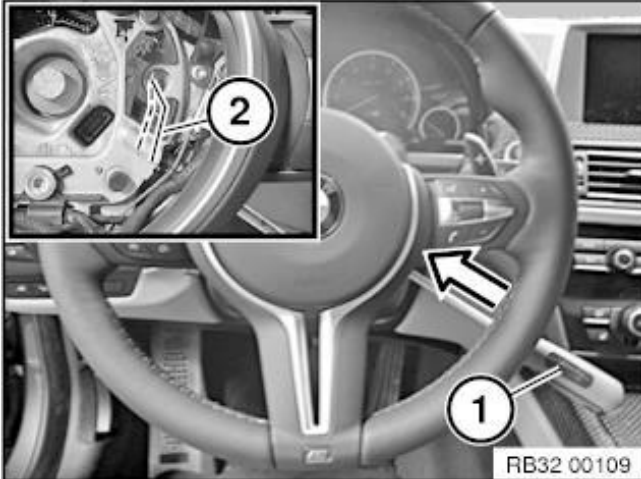
DRIVETRAIN
SOLUTIONS

Installation Manual
KMP Magnetic paddles
01.04.20100 - BMW Fxx

1. Remove airbag

Step 1

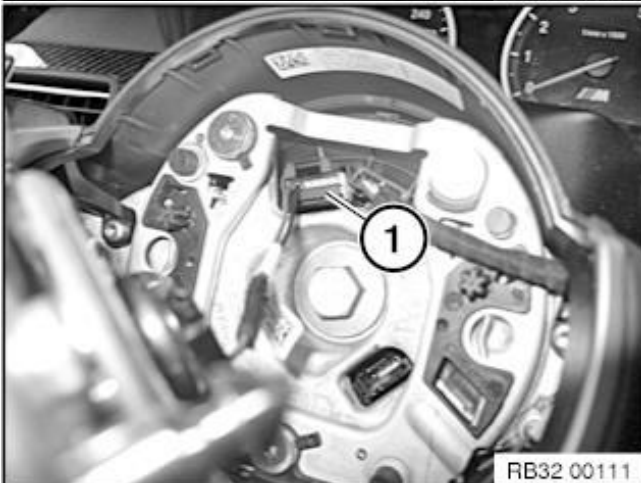
Necessary preliminary tasks:
Disconnect battery negative lead



Step 2

Insert Torx screwdriver T27 (1) straight into concealed opening until a spring resistance can be felt. Press in wire spring clip (2) with Torx screwdriver T27 (1) in direction of arrow until the airbag unit is unlocked.

Repeat the procedure on the left steering wheel side and carefully raise the airbag unit.



Step 3

Tilt airbag unit forwards. Disconnect plug connections and remove airbag unit.

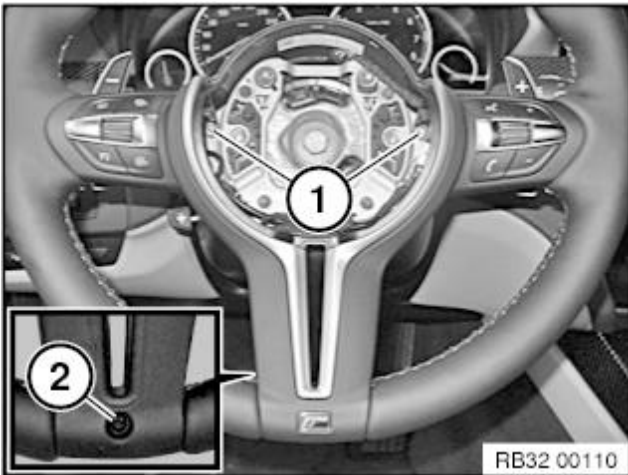
Warning!
Risk of injury!

Airbag unit may only be set down with the airbag itself facing upwards.

2. Remove paddles

Step 1

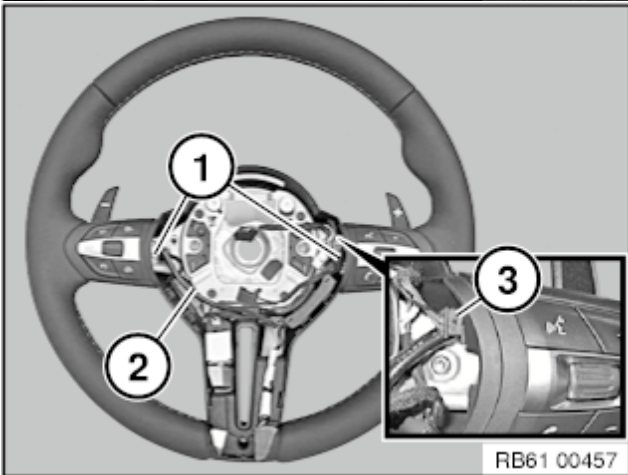
Release screws (1) on steering wheel.
Release screw (2) on rear side of steering wheel. Remove design cover.



Step 2

Note:
Steering wheel is shown removed for purposes of clarity.

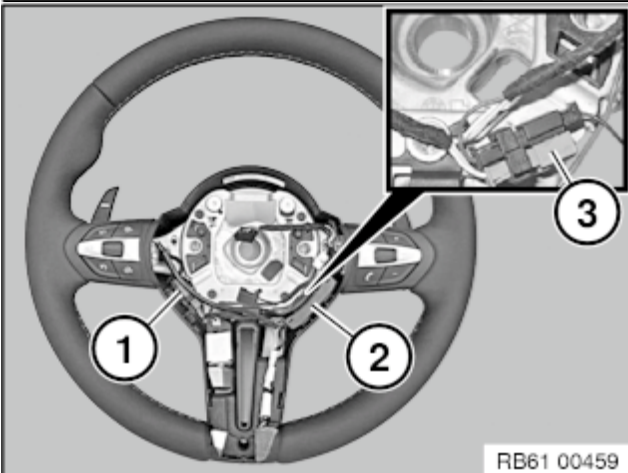
Release the screws (1) and feed out the wiring harness (2).



Step 3

Pull the steering wheel module (2) out of the steering wheel.

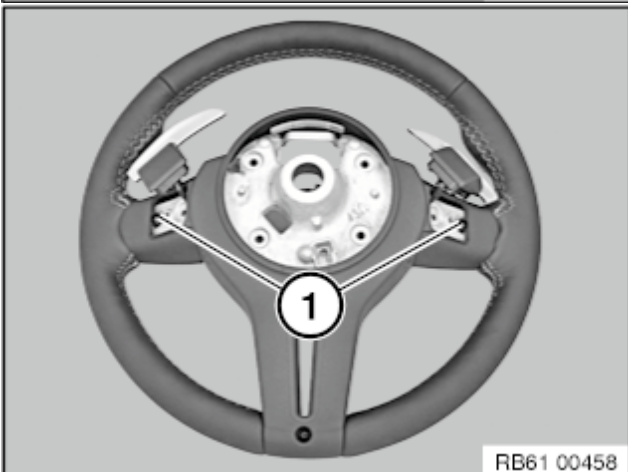
Release the plug connections (1, 3) from the steering wheel and disconnect.



Step 4

Note:
Steering wheel is shown removed for purposes of clarity.

Feed out the cable through the steering wheel spokes (1) and take off the shift paddles.



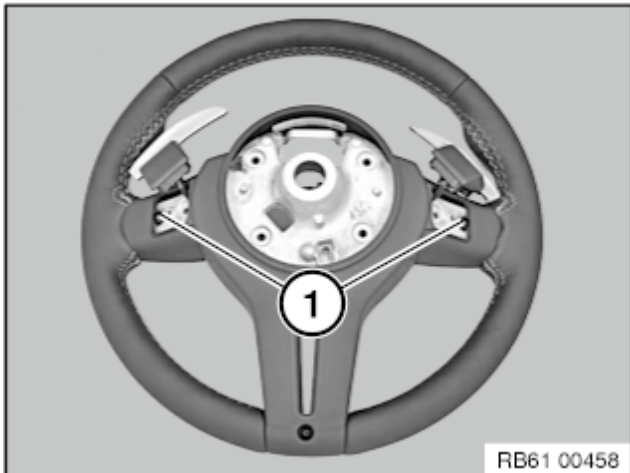
3. Install paddles

Step 1

Make sure electrical wiring is correctly routed.

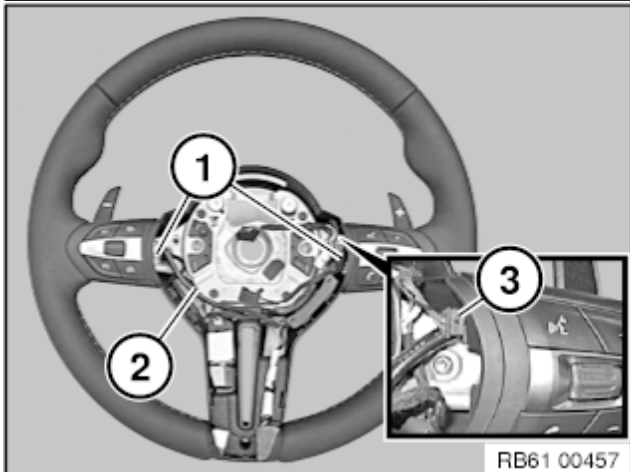
Make sure shift paddles are correctly seated.

Make sure multifunction steering wheel switches are correctly seated.



Step 2

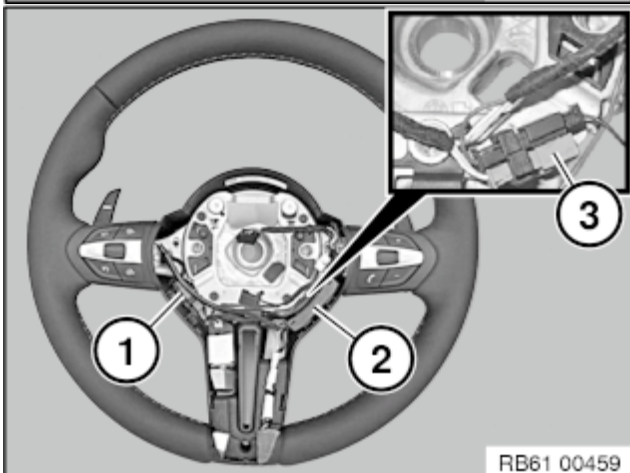
Mount the supplied screws (1) and feed the wiring harness (2). Use Loctite 243 (medium threadlocker).



Step 3

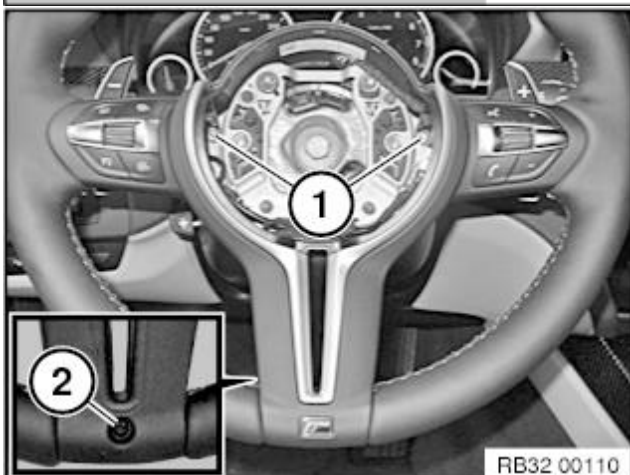
Connect the plug connections (1, 3) from the paddles to the steering wheel.

Place the steering wheel module (2) in the correct position of the steering wheel.



Step 4

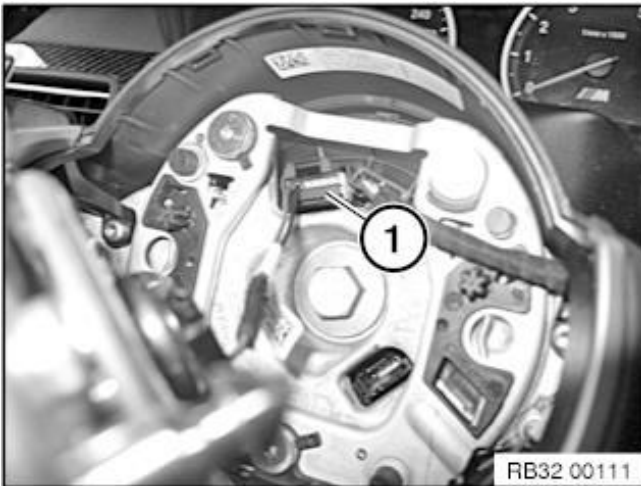
Place back the design cover.
Mount screws (1) on steering wheel.
Mount screw (2) on rear side of steering wheel.



4. Mount airbag

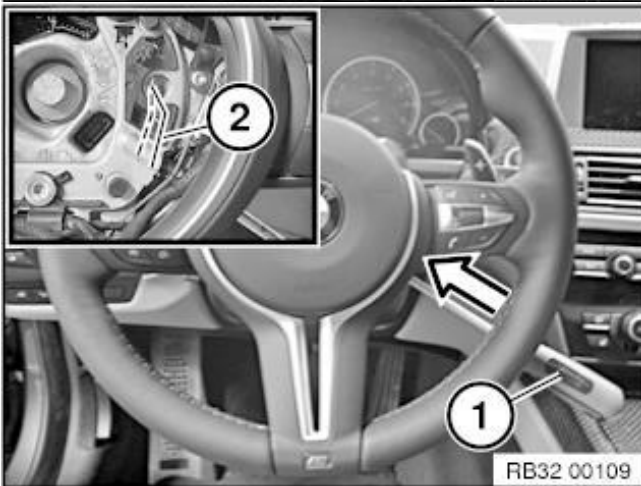
Step 1

Connect plug connections and place back airbag unit.



Step 2

Gently push back in the airbag. You should feel a spring click which is locking the airbag unit.



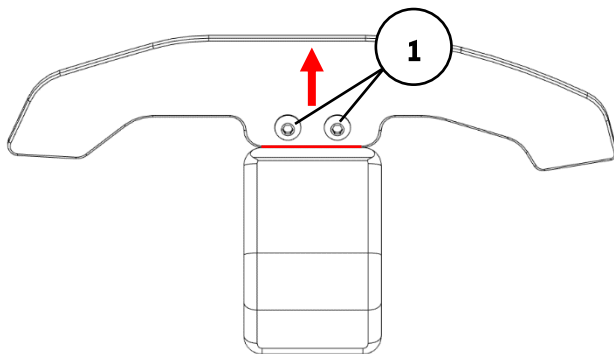
Step 3

Connect battery negative lead.

Optional: Replacing paddles

Step 1

Remove fitted paddles by unscrewing the 2 bolts (1).



Step 2

Place new paddles and screw in the 2 bolts (1).

Note:

Check for + (upshift, right) and - (downshift, left) on corresponding sides of the steering wheel.

Step 3

Before fully tightening the 2 bolts (1). Push the paddle outward, see red arrow, to prevent collision between the paddle and aluminium body of the magnetic paddles. Then tighten the paddles down.

If there are any technical issues, please contact support@kmpdrivetrain.com.

Let us follow your project by using [#kmpdrivetrain](https://www.instagram.com/kmpdrivetrain) on y our social media channels!



Kmp

**DRIVETRAIN
SOLUTIONS**

Opaalstraat 34
7554TS Hengelo
the Netherlands

Phone: +31 (0) 85 043 8310
Web: www.kmpdrivetrain.com
E-mail: sales@kmpdrivetrain.com